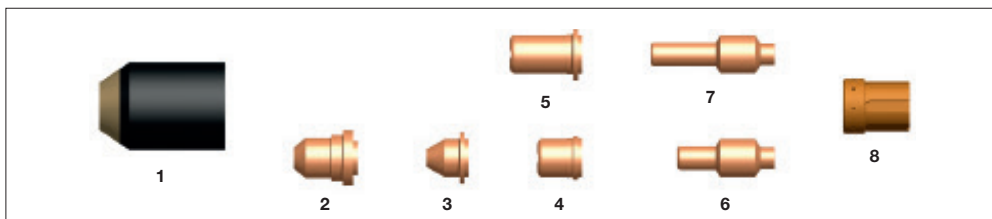


Max 20 (PAC110 Torch)

Stock Code	Description
1 020218	Retaining Cap
2 020219	Cutting Tip
020299	Cutting Tip
3 020381	Long Cutting Tip-20A

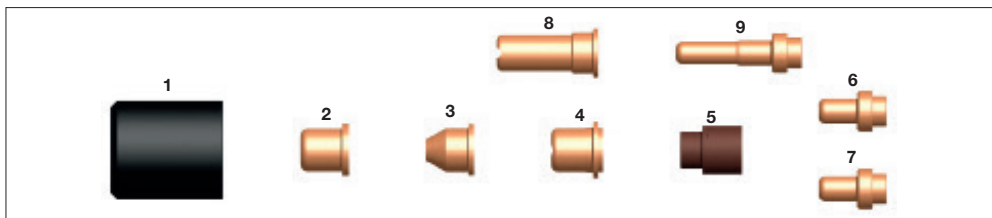
Stock Code	Description
4 020220	Electrode Hafnium
5 020382	Long Electrode Hafnium
6 020239	Swirl Ring



Max 40CS/ Max 42/ Max 43 (PAC121TS/ PAC125T Torch)

Stock Code	Description
1 020930	Retaining Cap
2 020539	Gouging Tip
3 020542	Pipe Tip
4 020350	Cutting Tip 1.0mm

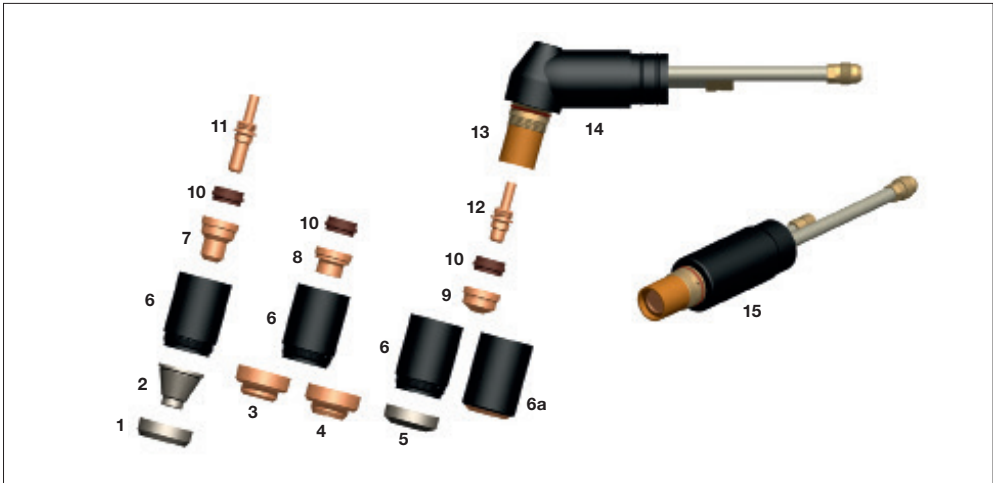
Stock Code	Description
5 020546	Extended Tip 1.0mm
6 120573	Electrode Hafnium
7 120574	Long Electrode Hafnium
8 020361	Swirl Ring



Max 40/ HT40 (PAC140 Torch)

Stock Code	Description
1 020104	Nozzle Refraining Cap
2 020102	Flat Machine Torch Cutting Tip
3 020131	Cutting Tip Pipe
4 020115	Cutting Tip Flat
5 020101	Swirl Ring

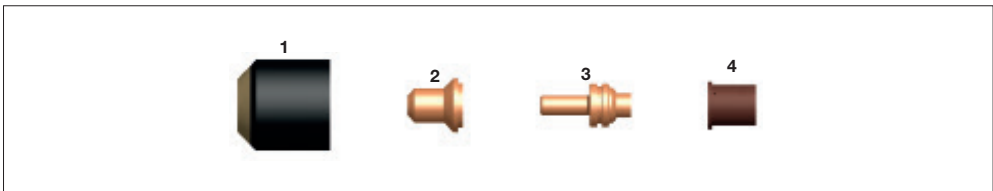
Stock Code	Description
6 020103	Electrode Hafnium Air
7 020167	Electrode Nitrogen
8 020466	Cutting Tip Long
9 020467	Long Electrode Hafnium



Max 70/ Max 80/ Max 100 (PAC 130 Torch)

Stock Code	Description
1	H8003 Locking Nut
2	H8002 Spacer Contact Cutting-Extended Tip
3	020334 Shield Cup-Machine Torch
4	020335 Spacer Contact Cutting-Hand Torch
5	020333 Deflector
6	020336 Contact Nozzle Retaining Cap
6a	020184 Extended Tip Retaining Cap
7	H8001 Extended Cutting Tip 1.0mm-40A
	020563 Extended Cutting Tip 1.4mm-70-80A
8	020396 Contact Cutting Tip 1.0mm-40A
	020397 Contact Cutting Tip 1.3mm-70-80A

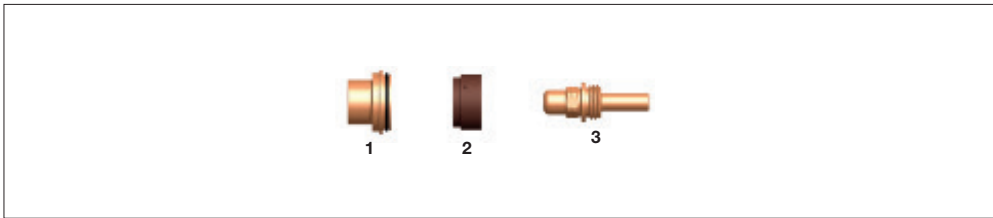
Stock Code	Description
9	020203 Cutting Tip 1.0mm-40A
	020345 Cutting Tip 1.3mm-70-80A
	020195 Cutting Tip 1.5mm-100A
10	020194 Swirl Ring
11	020564 Extended Electrode
12	120433 Electrode Air-Long Life
13	P1501 Front Insulator
14	020189 Torch Head-Hand
15	020201 Torch Head-Machine



Powermax 350/ Powermax 380 (PAC 110/PAC 110T Torch)

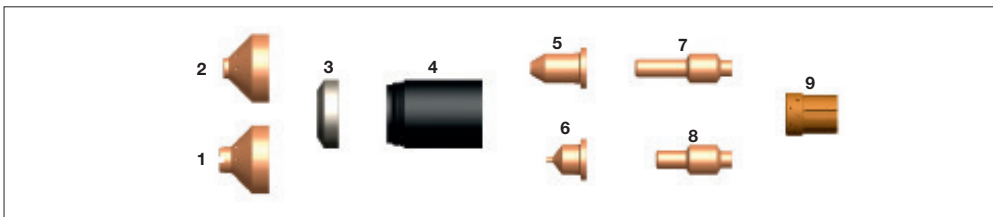
Stock Code	Description
1	220016 Nozzle Retaining Cap
2	120504 Extended Tip 0.8mm-25A

Stock Code	Description
3	0203882 Extended Electrode
4	220013 Swirl Ring



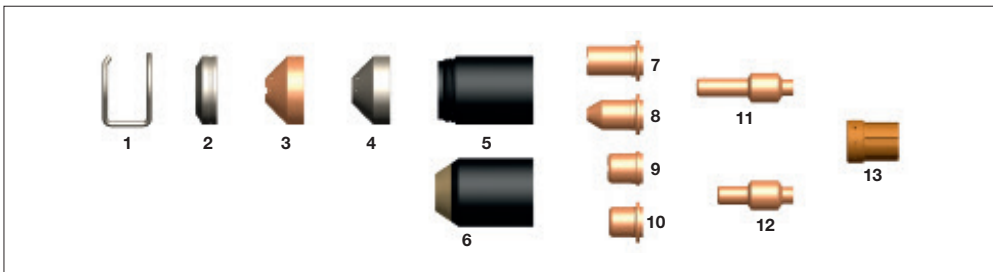
Max 100D (PAC160 Torch)

Stock Code	Description	Stock Code	Description
1	020705 Cutting Tip 100A	3	120433 Electrode Air
2	020706 Swirl Ring		020193 Electrode Nitrogen



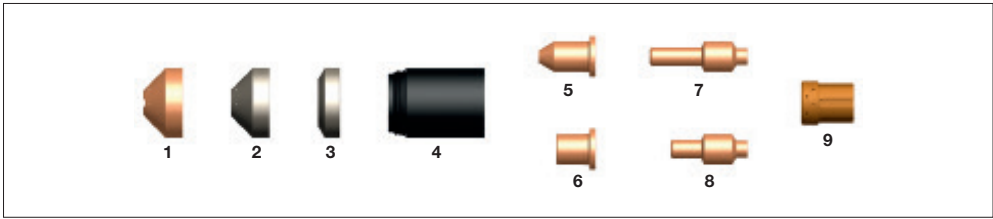
Powermax 600 (PAC123T Torch)

Stock Code	Description	Stock Code	Description
1	120828 Shield – Hand Torch – Use with 120600	6	120826 Tip – 40A
2	120827 Shield – Machine Torch – Use with 120600	7	120574 Extended Electrode
3	120303 Deflector – Use with 120600	8	120573 Electrode
4	120600 Retaining Cap	9	120576 Swirl Ring
5	120606 Extended Tip – 35 Amp		



Powermax 800 (PAC 121TS/ 125T Torch)

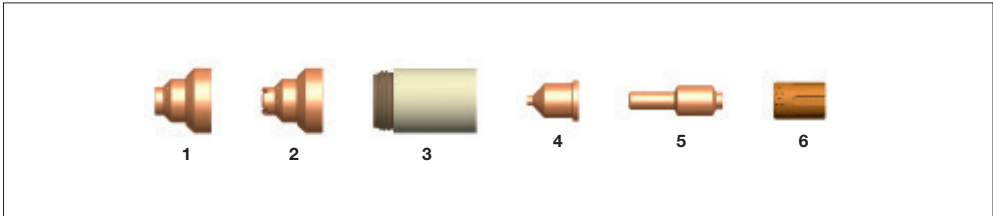
Stock Code	Description	Stock Code	Description
1	PM802 Spacer Spring	8	120305 Tip Pipe Saddle
2	PM801 Spring Holder Protection Nut (Use with 120301)	9	020395 Tip 1.1mm
3	120283 Shield-Hand Torch (Use with 120301)	10	120438 Tip-40A
4	120326 Shield-Machine Torch		120282 Tip-50A
5	120301 Retaining Cap	11	120574 Long Electrode Hafnium
6	020930 Nozzle Retaining Cap	12	120573 Electrode
7	120304 Extended Tip	13	020361 Swirl Ring



Powermax 900 (PAC 125T Torch)

Stock Code	Description
1	120303 Deflector (Use with 120600 and Extended Tip)
2	120602 Shield-Machine Torch (Use with 120600)
3	120601 Shield-Hand Torch (Use with 120600)
4	120600 Retaining Cap
5	120606 Extended Cutting Tip-35A 120578 Extended Pipe Saddle Tip-55A

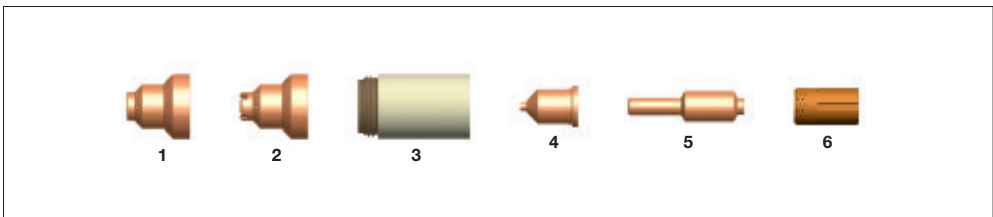
Stock Code	Description
6	120577 Shielded Cutting Tip-55A
7	120574 Long Electrode Hafnium
8	120573 Electrode
9	120576 Swirl Ring



Powermax 1000/ Powermax 12500 (T60/ T80 Torch)

Stock Code	Description
1	120930 Shield-Machine Torch
2	120929 Shield-Hand Torch-40-80A
3	120928 Retaining Cap-40-80A
4	120932 Cutting Tip-40A 120931 Cutting Tip-60A 120927 Cutting Tip-80A

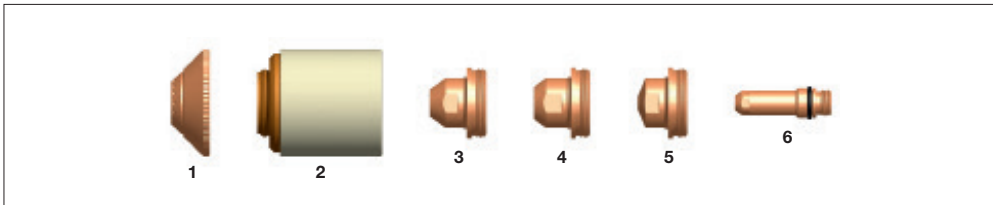
Stock Code	Description
5	120926 Electrode
6	120925 Swirl Ring 40-80A



Powermax 1650 (T100 Torch)

Stock Code	Description
1	220047 Shield-Machine Torch
2	220065 Shield-Hand Torch-100A
3	220048 Retaining Cap-100A

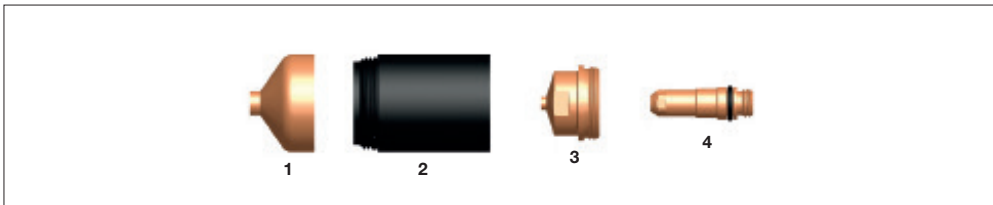
Stock Code	Description
4	220011 Cutting Tip -100A
5	220037 Electrode-100A
6	220051 Swirl Ring-100A



Max 200/HT2000

Stock Code	Description
1 020448	Shield Cap-Air, N ₂ , Ar/H-100A
020424	Shield Cap -Air, N ₂ , Ar/H, O ₂ -200A
2 020423	Retaining Cap
3 020608	Nozzle Air, N ₂ , Ar/H 2.2mm-200A
020605	Nozzle O ₂ 2.1mm-200A
020690	Nozzle O ₂ 1.4mm-100A (HT2000)
020616	Nozzle Gouging Air-200A

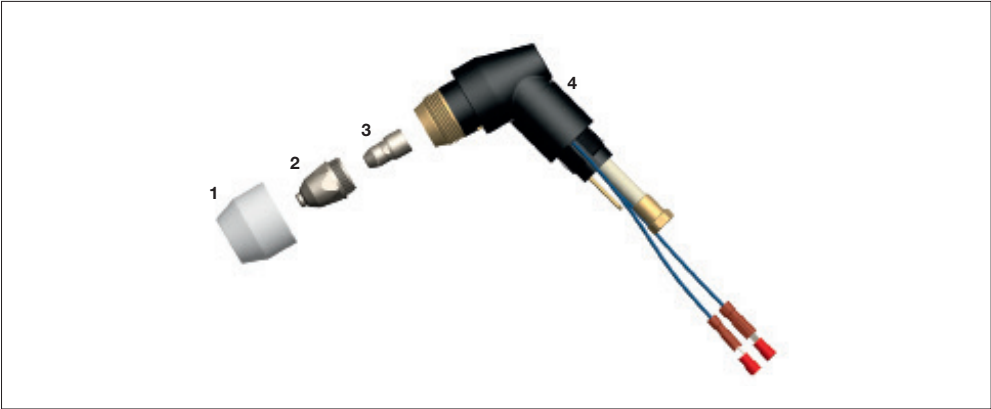
Stock Code	Description
4 020615	Nozzle O ₂ 1.4mm-100A
020611	Nozzle Air, N ₂ , Ar/H 1.5mm-100A
5 020689	Nozzle Air 1.0mm-40A
6 120547	Electrode O ₂ , Air-200A
120667	Electrode O ₂ , Air-100A
020415	Electrode Ar/H-200A



HT2000

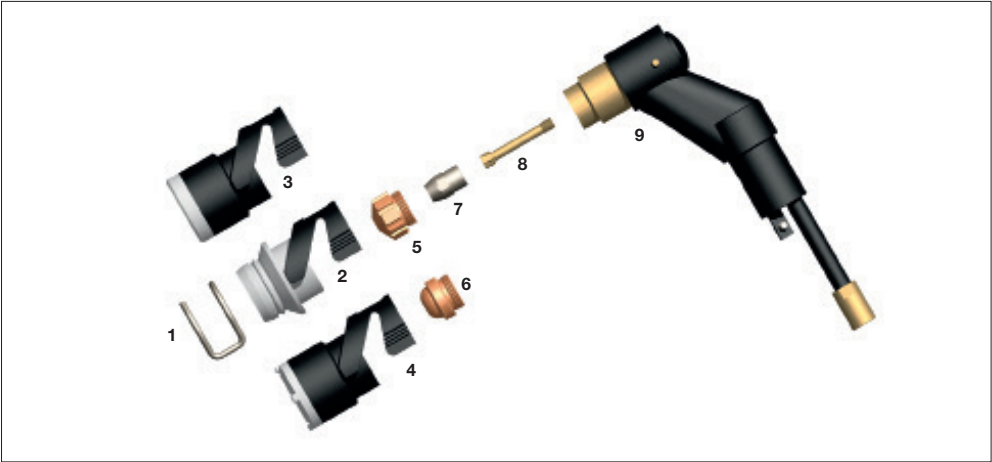
Stock Code	Description
1 220239	Shield Cap O ₂ -200A
2 220238	Retaining Cap O ₂ -200A

Stock Code	Description
3 220237	Nozzle O ₂ -200A
4 220235	Electrode O ₂ -200A



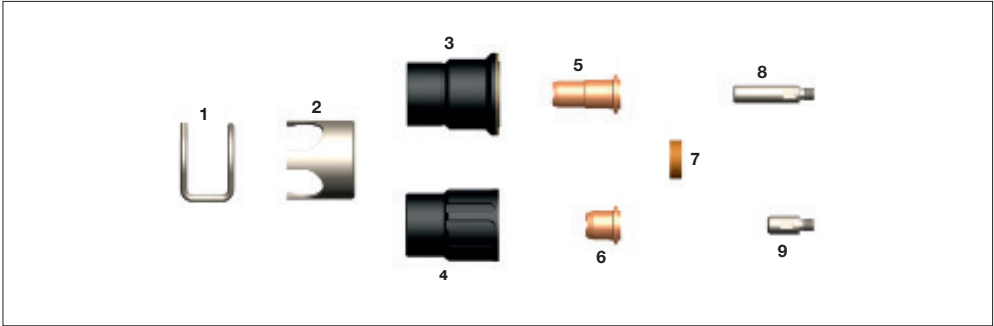
Panasonic® (TKU08103)

Stock Code	Description	Stock Code	Description
1	TGN02004 Shield Cup	3	TET02033 Electrode Hafnium
2	TET01305 Cutting Tip 1.3mm	4	TKU08103 Torch Head Hand
	TET01507 Cutting Tip 1.5mm		



SAF® (CP40R)

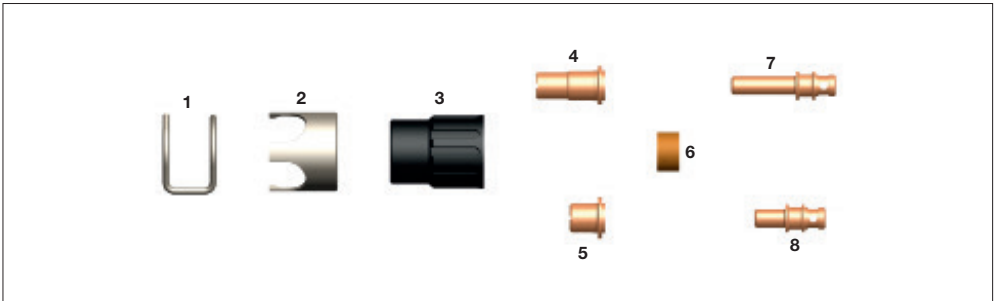
Stock Code	Description	Stock Code	Description
1	0408-2053 Guide Spring	6	0408-2052 Cutting Tip
2	0408-2267 T N Plastic Guide Assembly	7	0408-2051 Air Electrode Zirconium
3	0408-2268 T I Ceramic Guide Assembly		0408-2404 Air Electrode
4	0408-2405 Ceramic Assembly c/w Boss	8	0408-2381 Air Electrode Plunger Tube
5	0408-2261 Cutting Tip 1.0mm-20-40A	9	0408-2056 Torch Body
	0408-2262 Cutting Tip 1.2mm-40-60A		
	0408-2385 Cutting Tip 1.6mm Heavy Duty		



Trafimet® A53 & S54

Stock Code	Description
1 CV28	Spacer Spring
2 CV33	Crown Spacer
3 PC115	Nozzle Retaining Cap-S54
4 PC105	Nozzle Retaining Cap-A53
5 PD103-09	Extended Cutting Tip 0.9mm
PD103-10	Extended Cutting Tip 1.0mm

Stock Code	Description
6 PD102-10	Cutting Tip 1.0mm
7 PE106	Swirl Ring
8 PER106	Extra Long Electrode
9 PR105	Standard Electrode



Trafimet® A60

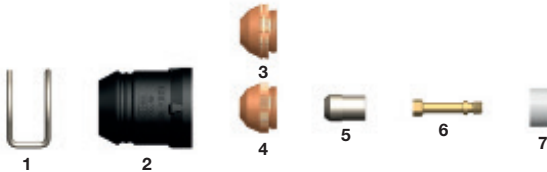
Stock Code	Description
1 CV28	Spacer Spring
2 CV33	Crown Spacer
3 PC105	Nozzle Retaining Cap-A53
4 PD106-09	Extended Cutting Tip 0.9mm
PD106-12	Extended Cutting Tip 1.2mm
5 PD105	Cutting Tip 1.0mm
PD105-10	Cutting Tip 1.0mm
PD105-11	Cutting Tip 1.1mm
PD105-12	Cutting Tip 1.2mm

Stock Code	Description
6 PE107	Swirl Ring
7 PR108	Extended Electrode
8 PR109	Electrode



WTC® 90/100A

Stock Code	Description	Stock Code	Description
1	RDZ0618 Guide Clip	4	RDA0189-H Electrode
2	RDA0413 Protective Nozzle	5	RDZ0749 Air Diffuser
NI	RDA0268 Protective Nozzle Ceramic		
3	RDZ0764 Cutting Tip 2.0mm-120-150A		
NI	RDZ0765 Gouging Tip 2.2mm-60A		
	RDZ1252 Gouging Tip 2.6mm-100-120A		
	RDZ1251 Gouging Tip 2.8mm-150A		



WTC® 150A

Stock Code	Description	Stock Code	Description
1	RDZ1459 Guide Clip-Stand Off	5	RDA0892 Electrode
2	RDA0817 Plastic Nozzle Interlock	6	RDZ1462 Standard Regulator Tube
3	RDZ1469 Gouging Tip 2.2mm-100/120A-1 Band	7	RDZ1393 Insulator
	RDZ1470 Gouging Tip 2.6mm-150A-2 Band		
4	RDZ1464 Tip 1.0mm-20/40A		
	RDZ1465 Tip 1.2mm-40/60A-1 Groove		
	RDZ1466 Tip 1.4mm-60/90A-2 Grooves		
	RDZ1467 Tip 1.7mm-90/120A-3 Grooves		
	RDZ1468 Tip 2.0mm-120/150A-1 Band		

Note: All Registered Trademarks listed are the property of their respective manufacturer. Reference to the original manufacturer is for reference only.